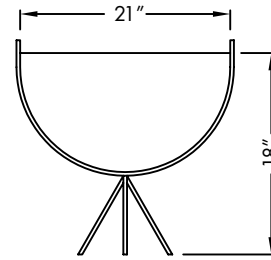
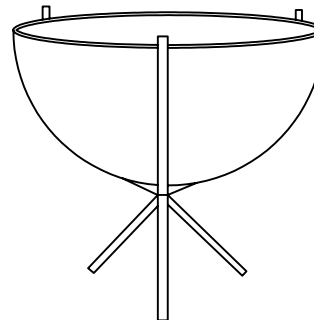


SELECT DESIRED FINISH

POWDER COATED SATIN BLACK

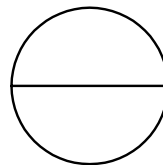


SIDE VIEW



ISOMETRIC VIEW

\* ILLUSTRATED DIMENSIONS ARE APPROXIMATE INCHES. FOR OUTDOOR USE, A DRAIN HOLE MAY BE DRILLED TO MAINTAIN PROPER DRAINAGE (\$5 OPTION BY REQUEST). CERAMIC CONTAINERS SHOULD NEVER BE SUBJECT TO FREEZING WATER TEMPERATURES AS WATER WILL EXPAND WHEN FROZEN.



## MS-G ACCESSORY STAND

DESIGNED BY JOHN FOLLIS

### NOTES

1. INSTALLATION TO BE COMPLETED IN ACCORDANCE WITH MANUFACTURER'S SPECIFICATIONS.
2. ALL DIMENSIONS ARE CONSIDERED TRUE AND REFLECT MANUFACTURER'S SPECIFICATIONS.
3. DO NOT SCALE DRAWING.
4. CONTRACTOR'S NOTE • FOR PRODUCT AND COMPANY INFORMATION VISIT [WWW.VESSELUSA.COM](http://WWW.VESSELUSA.COM)