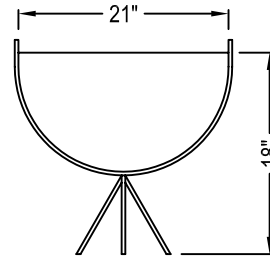




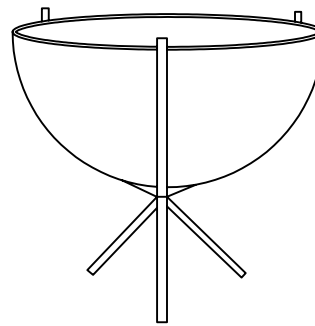
VESSELL USA INC. - ARCHITECTURAL POTTERY
P.O. BOX 28242
SAN DIEGO, CA, 92198
PHONE: (858) 385-1960
FAX: (858) 485-0889
www.architecturalpottery.com



SIDE VIEW

METAL ACCESSORY STAND, EPOXY COATED
SATIN BLACK FINISH

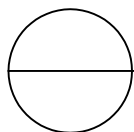
ILLUSTRATED DIMENSIONS ARE APPROXIMATE
INCHES. FOR OUTDOOR USE, A DRAIN HOLE
MAY BE DRILLED TO MAINTAIN PROPER
DRAINAGE (\$5 OPTION BY REQUEST). CERAMIC
CONTAINERS SHOULD NEVER BE SUBJECT TO
FREEZING WATER TEMPERATURES. BLACK
METAL ACCESSORY STAND ONLY.



ISOMETRIC VIEW

NOTES:

1. INSTALLATION TO BE COMPLETED IN ACCORDANCE WITH MANUFACTURER'S SPECIFICATIONS.
2. ALL DIMENSIONS ARE CONSIDERED TRUE AND REFLECT MANUFACTURER'S SPECIFICATIONS.
3. DO NOT SCALE DRAWING.
4. CONTRACTOR'S NOTE: FOR PRODUCT AND COMPANY INFORMATION VISIT www.CADdetails.com/info
REFERENCE NUMBER 430-032.



MS-G ACCESSORY STAND FOR PLANTER/CONTAINER

DESIGNED BY: JOHN FOLLIS